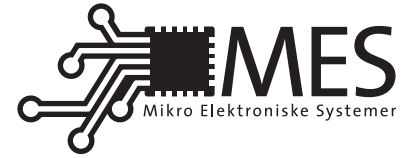




UNIVERSITY
OF OSLO

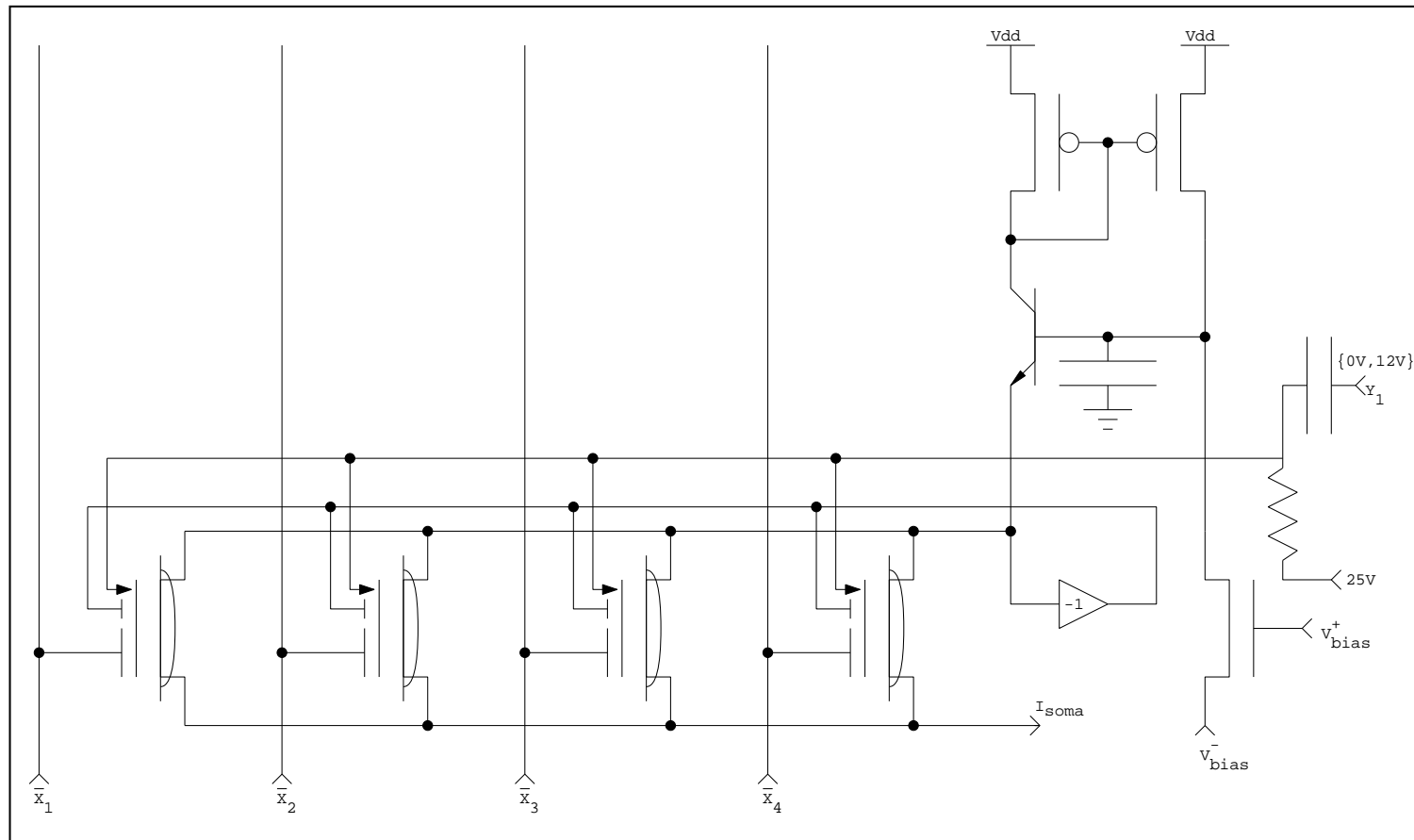


Neuromorphic Electronics

Neuromorphic Learning Circuits

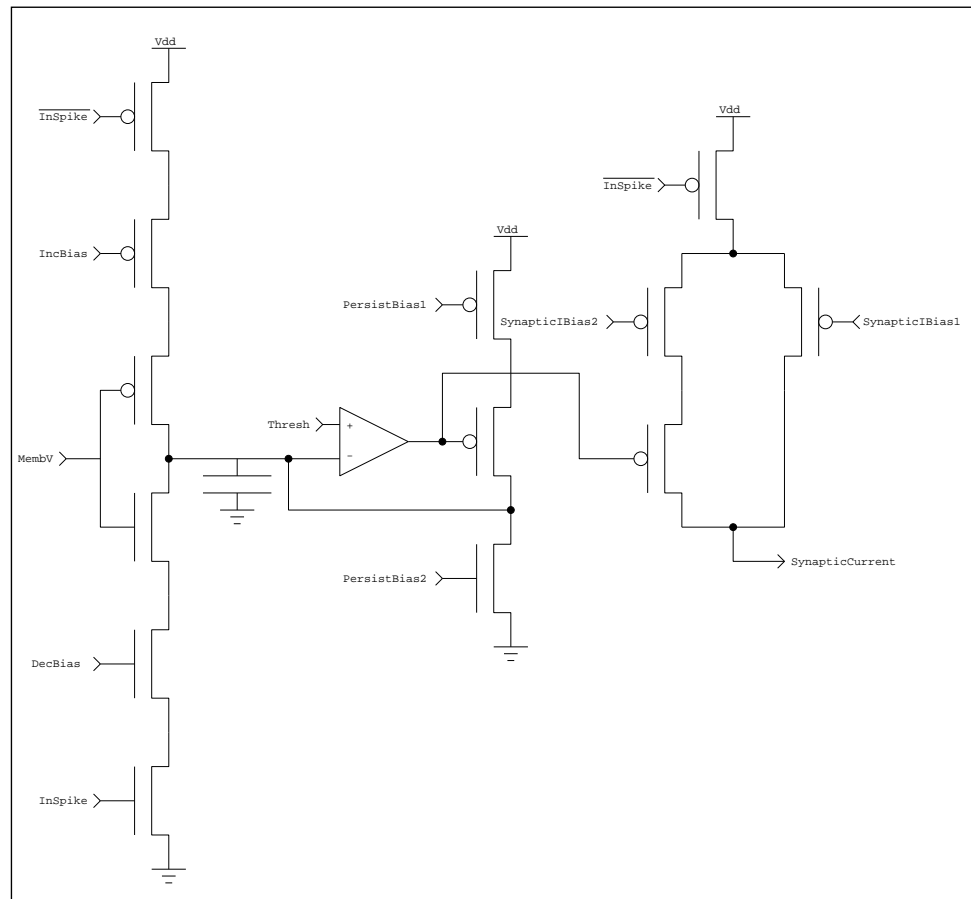


The Diorio Weight Normalizer



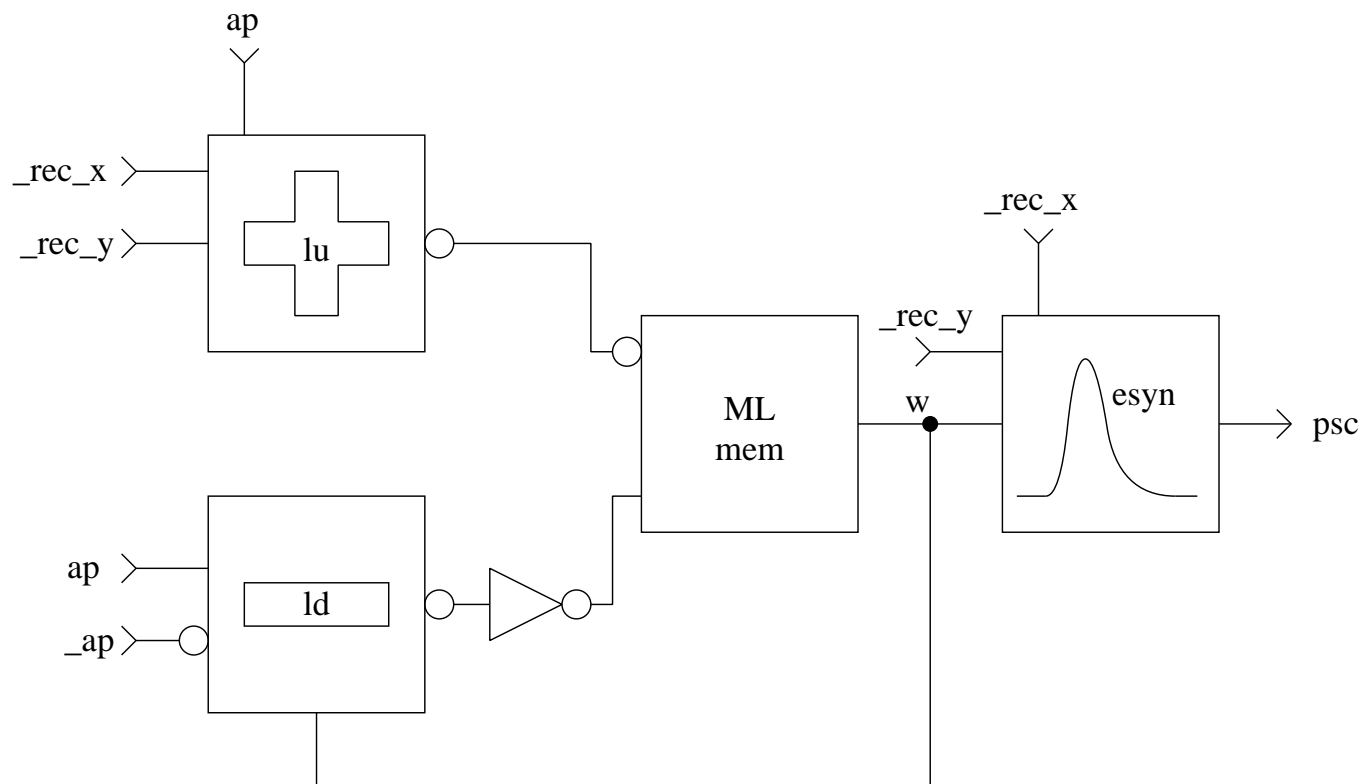


A Bistable Hebbian Synapse



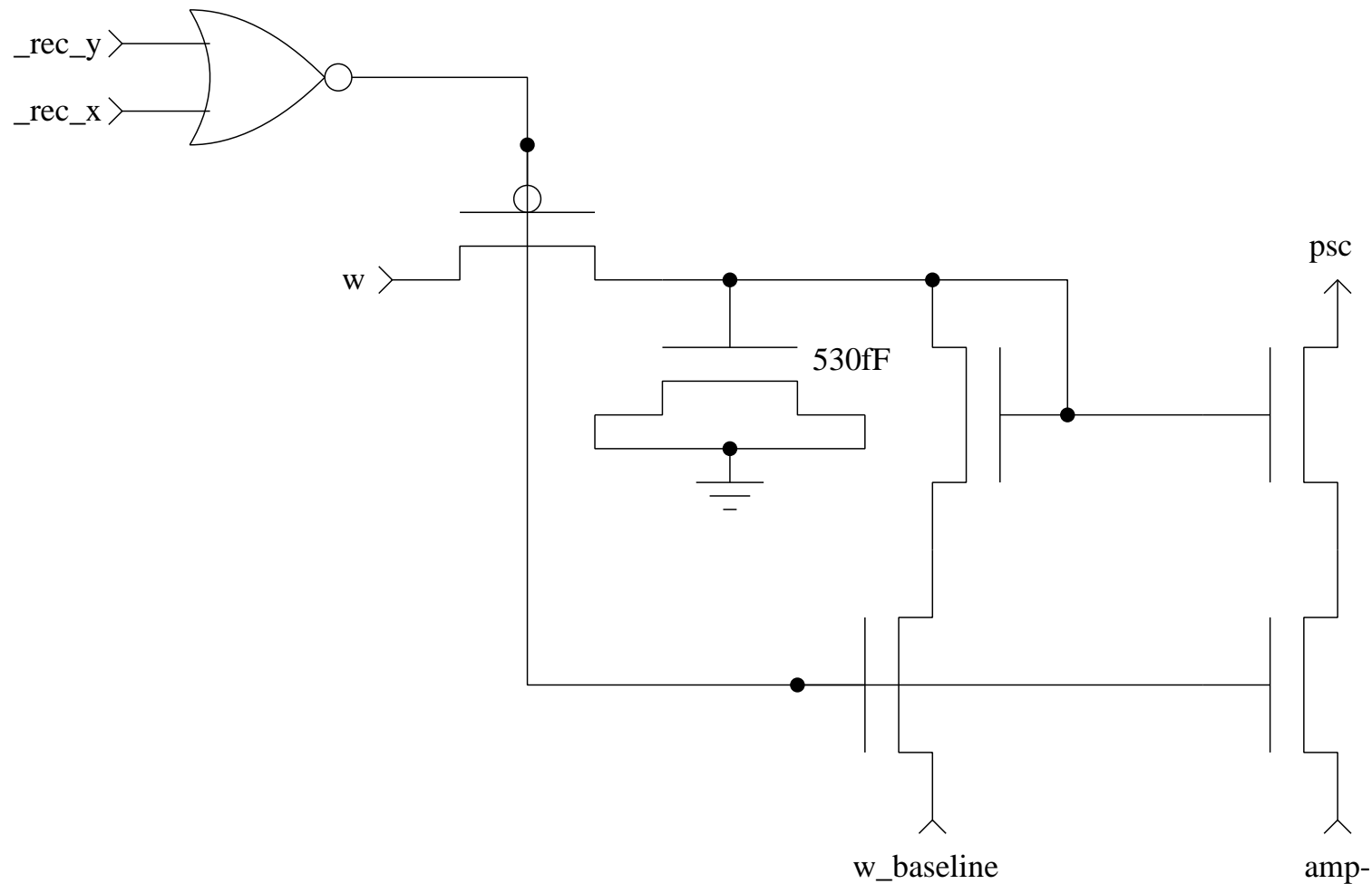


A Spike Based Learning Circuit

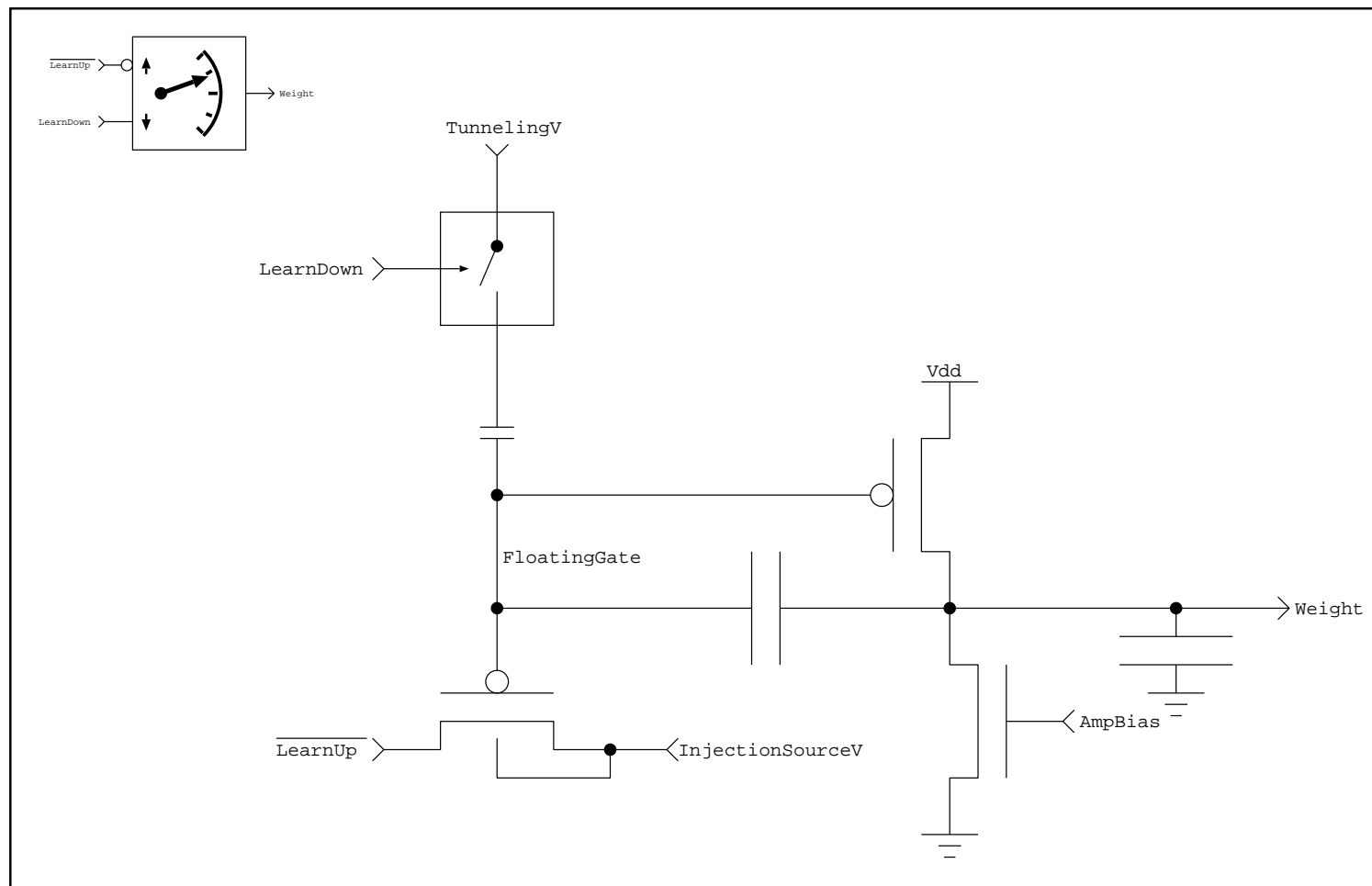




Excitatory Synapse

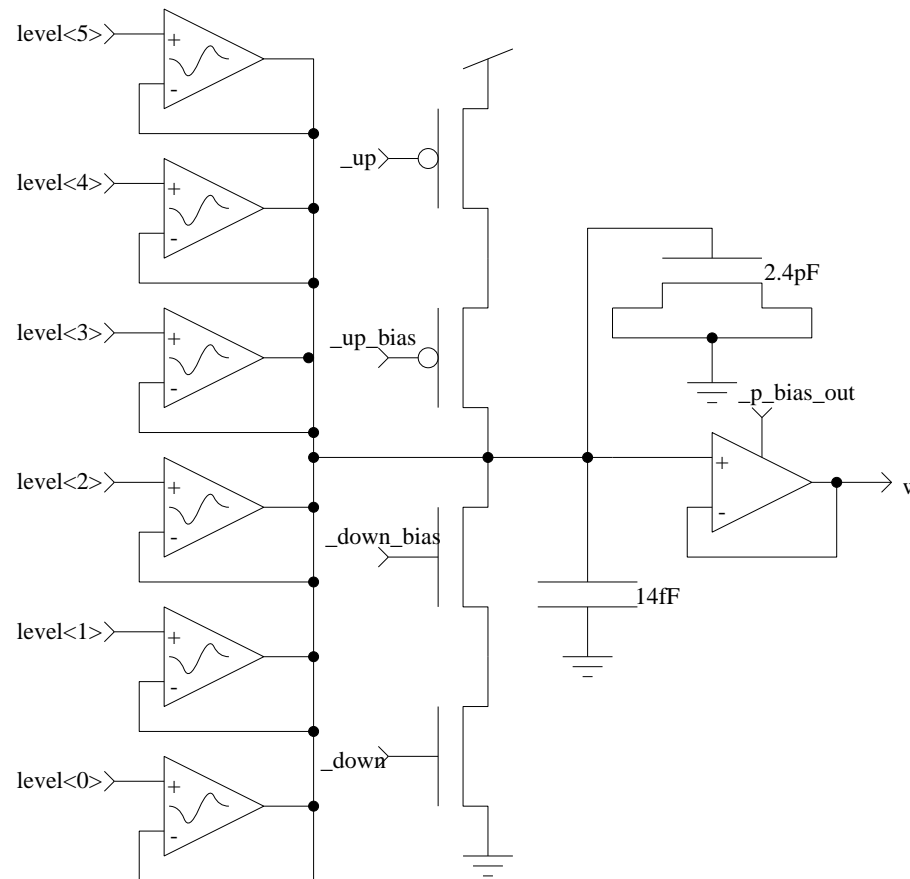


The Floating Gate Weight Storage Cell



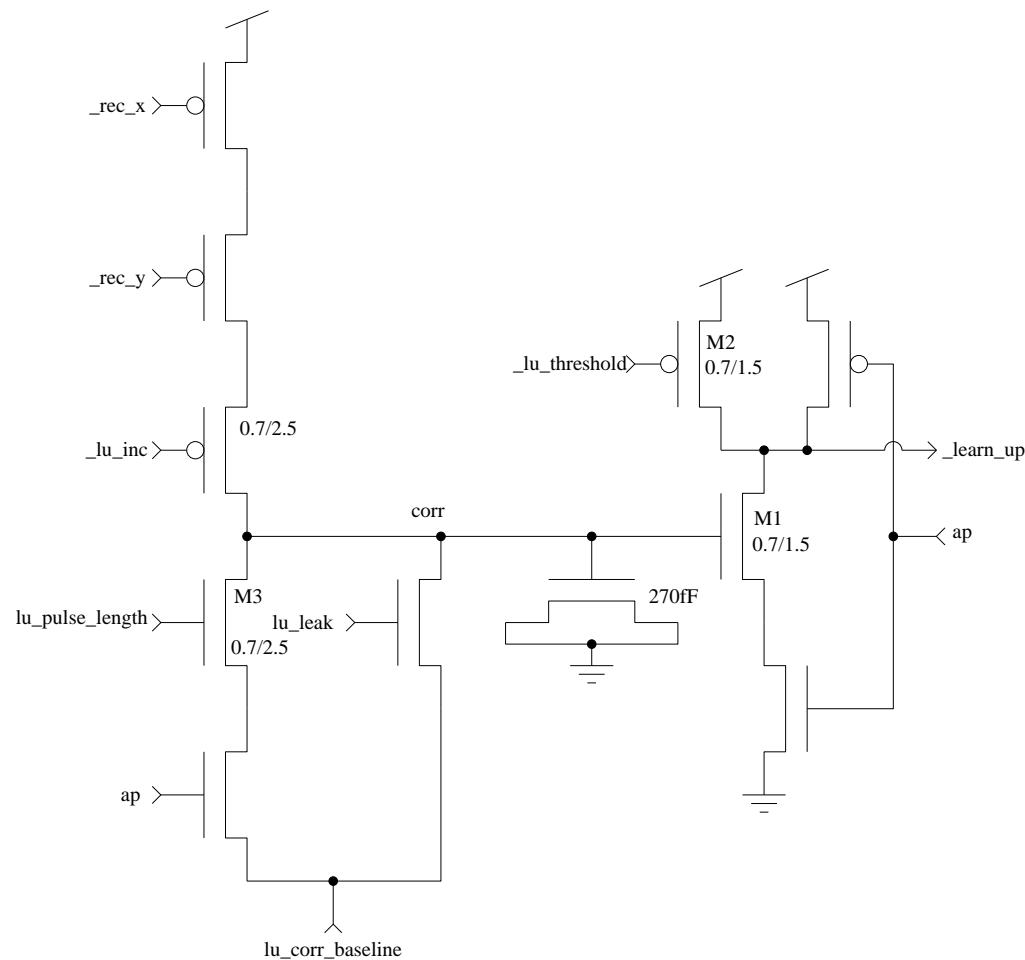


The Weak Multi-Level Weight Storage Cell





The Circuit Computing Positive Change





The Circuit Computing Negative Change

